

Features

- CSR BlueCore 4 external chipset
- Bluetooth v3.0
- Class 2 radio, range typically exceeds 20m
- 12 Digital programmable I/O Pins
- 2 Analog programmable I/O Pins
- Low power connection modes < 1mA
- Easy to use AT Command interface via UART
- Remote command and control
- Onboard Antenna
- 8Mbit Flash Memory
- UART, USB, I2C Interfaces



26.0mm x 15.0mm x 2.3mm



Bluetooth Data Profiles

- SPP – Serial Port Profile
A universal bi-directional data link. Up to 380Kbits/s.
- HID – Human Interface Device
Including keyboard, mouse, joystick, and media controls.
- HFP – Handsfree Profile
Remote phone control (without audio link).
- IAP – Apple iOS wireless data peripheral link. Requires approval and an Apple authentication chip.

Applications

- Serial Cable Replacement
- Data Acquisition
- Remote Sensors
- RFID Tag Readers
- Remote control

Description

The KC-2114 Class 2 Bluetooth Data Module is a highly tuned and completely integrated wireless data transceiver subsystem ready for installation in data devices. The KC-2114 offers reprogrammable, embedded firmware for serial cable replacement deploying the Bluetooth Serial Port Profile (SPP). Our kcSerial embedded firmware provides an easy to use AT style command interface over UART. Our kcSerial firmware also provides remote control capability, where our AT commands can be issued remotely from any other Bluetooth device via SPP.

All firmware offered by KC Wirefree can be customized for OEM clients. In many cases a few changes can produce great value by differentiating and improving your product. Firmware can be updated via UART or optionally, via Usb.

Please see our *kcSerial User Guide* and *kcKeyboard User Guide* for more information on specific features and operation.

SPP – Serial Port Profile

The KC Wirefree KC-2114 data modules come standard with kcSerial which implements (SPP) Serial Port Profile.

The SPP is a very popular widely used profile for transmitting data in place of a serial cable. SPP defines how to set up virtual serial ports and connect two Bluetooth enabled devices. A scenario would be using two devices, such as PCs or laptops, as virtual serial ports and then connecting the two devices via Bluetooth technology.

HID – Human Interface Profile

Our kcKeyboard firmware implements the HID profile defines the protocols, procedures and features to be used by Bluetooth HID including keyboards, mice, game controllers, and media controllers. HID commands are issued via UART commands, and/or PIO button feature assignments.

HFP – Handsfree Profile

Our kcKeyboard firmware optionally implements the HFP profile and provides wireless control for phones, but without the capabilities of providing an audio link. This can be a convenient addition for a full featured wireless controller device.





IAP – Apple iOS Wireless Profile

Our kcSerial firmware implements the IAP profile that provides a peripheral data link to iOS devices. The IAP profile requires an Apple authentication chip, and finished products require an MFi license from Apple. The IAP profile controls the iOS authentication procedure, and implements the Apple lingo data link requirements.

Other Available Bluetooth Data Profiles

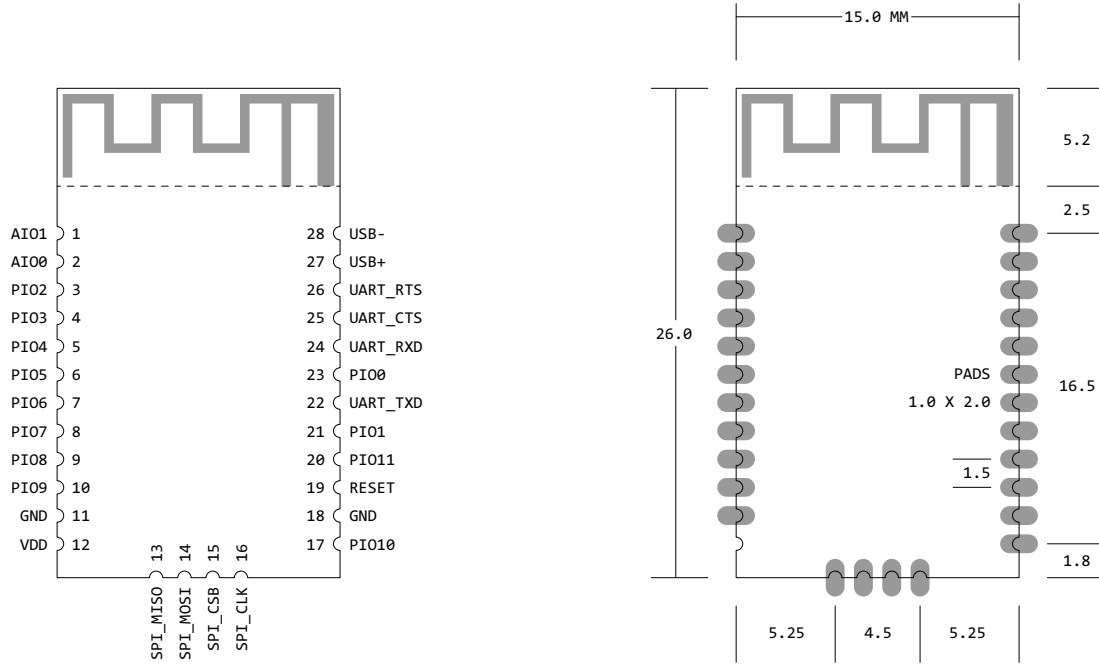
KC-2114 is capable of supporting additional Bluetooth profiles. Contact KC Wirefree for customization options.

Available Bluetooth Data Modules

| | Class 1 +18dB High Power | Class 2 +4dB Standard Power |
|---------------------|---|---|
| External Antenna |  <p>KC-1014 Class 1 Bluetooth Data Module</p> |  <p>KC-2014 Class 2 Bluetooth Data Module</p> |
| Onboard Antenna |  <p>KC-1114 Class 1 Bluetooth Data Module</p> |  <p>KC-2114 Class 2 Bluetooth Data Module</p> |

Physical Dimensions

KC-2114 Top View



Pin Assignment

| Pin | Function | Type | Description |
|-----|----------|--------|--------------------------------------|
| 1 | AIO1 | Input | Analog Input |
| 2 | AIO0 | Input | Analog Input |
| 3 | PIO2 | I/O | Programmable I/O |
| 4 | PIO3 | I/O | Programmable I/O |
| 5 | PIO4 | I/O | Programmable I/O |
| 6 | PIO5 | I/O | Programmable I/O |
| 7 | PIO6 | I/O | Programmable I/O [I ² C] |
| 8 | PIO7 | I/O | Programmable I/O [I ² C] |
| 9 | PIO8 | I/O | Programmable I/O [I ² C] |
| 10 | PIO9 | I/O | Programmable I/O |
| 11 | GND | -- | Ground |
| 12 | VDD | Input | 3.3V Regulated Input (2.7V – 3.6V) |
| 13 | SPI_MISO | Output | SPI Master In |
| 14 | SPI_MOSI | Input | SPI Master Out |
| 15 | SPI_CSB | Input | SPI Chip Select |
| 16 | SPI_CLK | Input | SPI Clock |
| 17 | PIO10 | I/O | Programmable I/O |
| 18 | GND | -- | Ground |
| 19 | RESET | Input | Hardware Reset when Low >5ms |
| 20 | PIO11 | I/O | Programmable I/O |
| 21 | PIO1 | I/O | Programmable I/O [Class 1 TX Enable] |
| 22 | UART_TXD | Output | UART Data Transmit |
| 23 | PIO0 | I/O | Programmable I/O [Class 1 RX Enable] |
| 24 | UART_RXD | Input | UART Data Receive |
| 25 | UART_CTS | Input | UART Clear To Send |
| 26 | UART_RTS | Output | UART Request To Send |
| 27 | USB+ | I/O | USB Data Positive |
| 28 | USB- | I/O | USB Data Negative |

[Option features in brackets]

Interface Pins

AIO Interface Pins [1-2]

AIO 0 and AIO 1 are enabled for analog input by default, providing 8 bit samples at rates up to 50 samples/sec. Analog pins are 1.8V logic for input mode. Voltage reading accuracy is guaranteed to 6 bits resolution.

PIO Interface Pins [3-10,20-21,23]

PIO pins are read and write enabled via kcSerial commands. Inputs can be configured for weak pull-up, weak pull-down, strong pull-up, strong pull-down. Voltage input tolerance and output level is equal to the VDD level.

I2C Interface [7-9]

The I2C interface pins are hardware assigned to PIO 6 = SDL, PIO 7 = SDA, and PIO 8 = RESET. The I2C interface must be custom programmed per application. It is used for EEPROM, LCD, and Apple Authentication chips (iOS wireless accessories).

VDD Pin [12]

Voltage supply pin accepts voltages between 2.7V and 3.6V. Regulation should have a fast response time < 20 μ s. It is essential that the power rail recover quickly. We recommend Texas Instruments TLV71333PDBVR. Note, the USB, UART, and PIO pins high outputs will be driven relative to this VDD input voltage level.

SPI Pins [13-16]

The SPI pins are only available for firmware loading and test tools. SPI test points are highly recommended for emergency diagnostics access.

UART Pins [22,24-26]

The UART is compatible with the 16450 industry standard. Four signals are provided with the UART interface. The UART pins operate at TTL voltage level and must be translated to higher RS-232 voltage levels for communicating with PC hosts. A 3.3V buffered signal IC is recommended. It is highly recommended that UART test points are available for external connection to allow firmware reinstallation or updates. If a microcontroller is attached, provide a tri-state mode to allow external access to the UART lines.

USB Interface [27-28]

The USB interface is available for custom applications.

Application Notes

- We highly recommend providing a header or test points for the SPI lines. This allows emergency access for diagnostic tools.
- We highly recommend providing UART test points to allow firmware reinstallation or updates. If a microcontroller is attached, provide a tri-state mode with microcontroller to allow external access to the UART lines.
- RS232 hardware flow control is disabled in kcSerial v3.0 firmware by default, and can be enabled with AT HwFlowControl E command (this configuration setting is saved in flash memory). It is highly recommended to enable hardware flow control, since data can be lost with poor wireless connections without flow control.
- UART interfaces are 3.3V TTL. A voltage level shifter or buffer IC is required when interfacing to higher voltage RS232 ports.
- Regulator should have a fast response time < 20 μ s. It is essential that the power rail recover quickly. We recommend Texas Instruments TLV71333PDBVR.
- Power supply to module should have less than 10mVrms noise between 0-10MHz, and spikes should be minimal.
- A voltage level monitor IC connected to RESET is recommended for fluctuating power sources (especially automotive). Flash memory can become corrupted with high or low spiking power sources. We recommend Diodes Inc. APX809-29SAG-7 (2.93V).
- Unused pins should be unconnected.
- The area around the antenna should be free of metal and grounds. Minimum clearance is 5mm, but additional clearance improves RF performance.
- Do not use ultra sonic cleaning, which may cause internal interconnect damage to IC's and crystals.
- Driving LEDs directly from PIO pins is not recommended. We recommend using MOSFET gates or a buffer driver.

Electrical Characteristics

(Conditions VDD= 3.3V and 25 °C)

| Absolute Maximum Ratings | Min | Max | Unit |
|---------------------------|------|-----|-------|
| Storage temperature range | -40 | 150 | °C |
| Supply voltage VDD | -0.4 | 3.7 | Volts |

| Recommended Operating Conditions | Min | Max | Unit |
|---------------------------------------|-----|-----|-------|
| Temperature Range | -40 | 85 | °C |
| Supply Voltage VDD (3.3V Recommended) | 2.8 | 3.6 | Volts |

| Digital PIO & UART Pins | Min | Typ | Max | Unit |
|---------------------------|------|------|------|-------|
| Input Voltage Low Logic | -0.4 | - | 0.8 | Volts |
| Input Voltage High Logic | 2.3 | - | 3.7 | Volts |
| Output Voltage Low Logic | - | - | 0.2 | Volts |
| Output Voltage High Logic | 3.1 | - | - | Volts |
| Input Leakage Current | -1 | - | +1 | μA |
| Input Capacitance | 1.0 | - | 5.0 | pF |
| Weak Internal Pull-Up | -5.0 | -1.0 | -0.2 | μA |
| Weak Internal Pull-Down | +0.2 | +1.0 | +5.0 | μA |
| Strong Internal Pull-Up | -100 | -40 | -10 | μA |
| Strong Internal Pull-Down | +10 | +40 | +100 | μA |

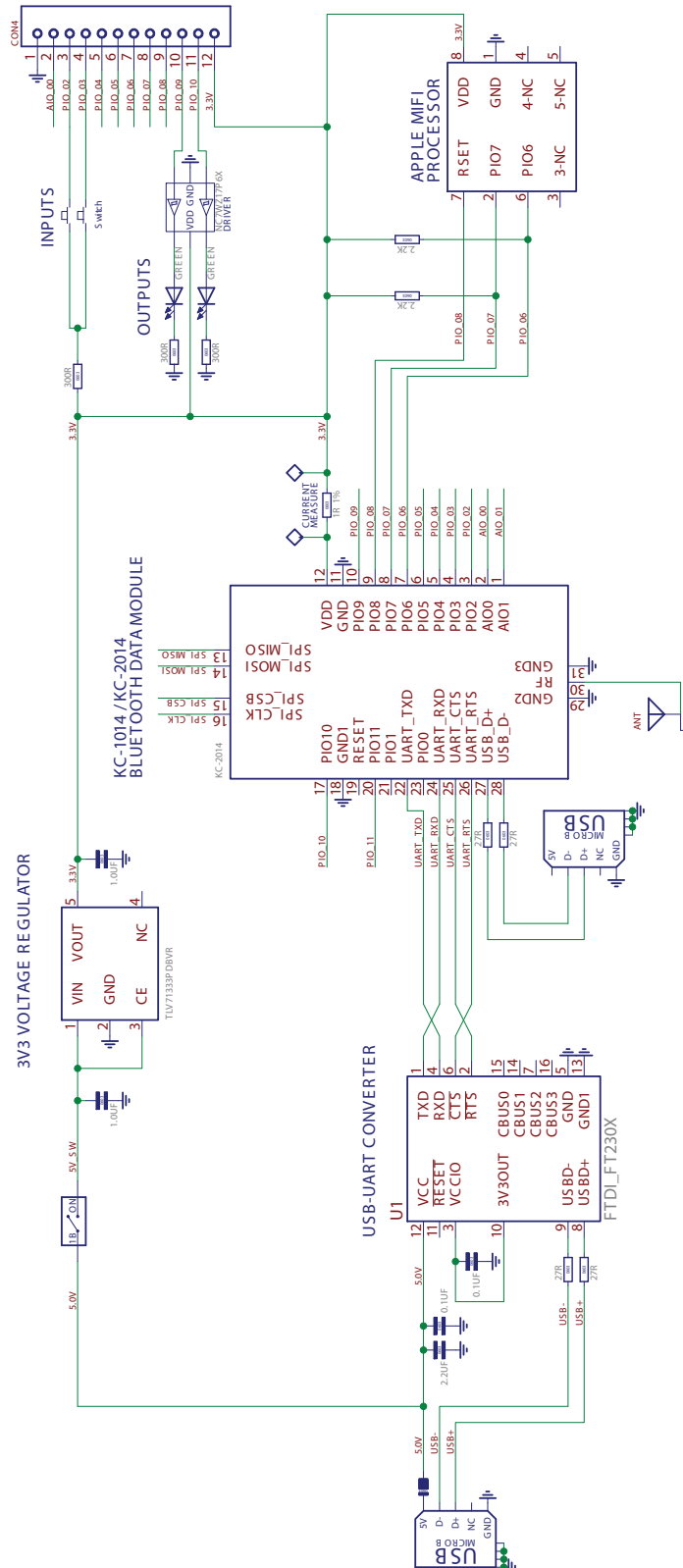
| Analog I/O Pins | Min | Max | Unit |
|-----------------|-----|-----|---------|
| Resolution | | 8 | Bits |
| Sample Rate | | 50 | Per Sec |
| Voltage | 0 | 1.8 | V |

| RF Characteristics | Test Conditions | BT Spec | Typical | Unit |
|--------------------|-----------------|----------|---------|------|
| Maximum RF power | 50 Ω load | -6 to +4 | +5 | dBm |
| Sensitivity level | 0.1% BER | ≤ -70 | -85 | dBm |
| Antenna load | | | 50 | Ω |

| Current Consumption | Avg | Unit |
|--|-----|------|
| ACL Data 115Kbps Data Transfer(Master) | 11 | mA |
| ACL Data 115Kbps Data Transfer(Slave) | 25 | mA |
| Connection, No Data Traffic (Master) | 4.6 | mA |
| Connection, No Data Traffic (Slave) | 17 | mA |
| Peak current | 90 | mA |
| Sniff Mode (40ms sniff) (Master) | 2.4 | mA |
| Sniff Mode (40ms sniff) (Slave) | 2.1 | mA |
| Sniff Mode (1.3s sniff) (Master) | 0.4 | mA |
| Sniff Mode (1.3s sniff) (Slave) | 0.4 | mA |
| Deep Sleep (not discoverable, not connectable) | 40 | μA |

Example Hardware Interface Connections

This schematic example is our BlueDemo Data Board.



Firmware Interface

The KC-2114 offers our powerful kcSerial firmware interface using the UART, which provides an easy to use AT style text command interface. The firmware interface allows persistent storage of configuration parameters such as device name, default baud rate, security PIN, and automatic connection settings. Additionally kcSerial provides operational commands such as discovery, connections, security, read/write commands for I/O pins. These commands are also available in remote command mode, so a kcSerial device will respond to these commands issued locally via UART, or wirelessly via remote command mode.

kcSerial v4.0 AT Command List

```

AT Help
-> [CommandList]
-> AT AioRead          AT AutoConnect      AT BatteryMon
-> AT BtAddr           AT Build            AT CoD/Temp
-> AT ConfigRawBaud/Temp AT ConfigUART/Temp AT ConnDiscForce/Temp
-> AT Connect         AT Connectable     AT ConnectIOS
-> AT ConnectScan     AT Data            AT DebugMode/Temp
-> AT DeepSleep/Temp  AT Dfu             AT Disconnect
-> AT Discoverable     AT DiscoverConfig   AT DiscoverSvc
-> AT Discovery        AT EscapeMode/Temp AT FactoryReset
-> AT HwFlowControl   AT InputCmdMode    AT InputConnect
-> AT InputDiscoverable AT InputSleepBlock AT InquiryScan
-> AT IosBundleID     AT IosNameApp      AT IosNameDevice
-> AT IosNameManf     AT IosNameModel    AT IosService
-> AT IosSettings     AT IosVersion      AT LinkStatus
-> AT LinkTest        AT LinkTimeout/Temp AT LowLatency/Temp
-> AT Messages/Temp  AT Name/Temp       AT NegotiateSync
-> AT OutputActivity  AT OutputConnect   AT OutputCpu
-> AT OutputDiscoverable AT OutputLowBatt   AT PacketSize/Temp
-> AT Pair            AT Pairable        AT PairingDelete
-> AT PairingOption/Temp AT Passkey         AT PinCode
-> AT PIOConfig       AT PIORead         AT PIOSettings
-> AT PIOStatus       AT PIOWrite        AT Radio
-> AT RemoteMode/Temp AT Reset           AT RfcService
-> AT RfPower/Temp    AT RoleSwitch      AT Rssi
-> AT ScoConfig       AT Security/Temp   AT SecurityAuth/Temp
-> AT ShowSettings    AT ShowStatus      AT Sniff/Temp
-> AT SniffSettings   AT SniffSubrate    AT SppName
-> AT SppService/Temp AT Timer           AT Version
->
->
-> EscapeSeq prefix: ~~~~1
-> EscapeCmd prefix: ~~~~2
-> RemoteSeq prefix: ~~~~3
-> RemoteCmd prefix: ~~~~4
->
-> Specific command help: AT <command> ?
-> See kcSerial UserGuide www.kcwirefree.com
-> [EndCommandList]

```

Please refer to our **kcSerial v4.0 User Guide** for additional information.

Qualifications

Bluetooth

The KC-2114 is registered with and licensed by Bluetooth SIG as a qualified design.

Qualification Design ID: 20218

Qualified Profiles: BB, DUN, GAP, HCI, L2CAP, LM, RFCOMM, SDP, SPP

KC Wirefree provides a Qualified Design that should be sufficient for product licensing without additional Bluetooth testing requirements. Usage of Bluetooth registered trademarks must be licensed directly from Bluetooth SIG. Please contact Bluetooth SIG regarding product licensing fees.

FCC

The KC-2114 has a granted modular approval by the Federal Communications Commission. The module meets the conducted and radiated emission requirements of the FCC "Code of Federal Regulations" Title 47, Part 15, Subpart C, Section 15.247 for Bluetooth spread spectrum transmitters.

With a written agreement, Original Equipment Manufacturers may use our FCC ID transmitter license. The following FCC ID must be visible on the exterior of final the product.

FCC ID: S2242

CE

The KC-2114 complies with the following EMC Directives:

ETSI EN 300.328 V1.6.1

ETSI EN 300.328 V1.8.1 [Approval Pending]

Industry Canada

IC Warning Statement: The device's user manual does not contain the following or equivalent statement as per RSS-GEN section 7.1.5: Operation of this device is subject to the following two conditions: (1) this device may not cause interference, and (2) this device must accept any interference, including interference that may cause undesired operation of the device.

IC ID: 8193A-BTMODULECL2

SAR

SAR compliant.

Datasheet Versions

| Revisions | Changes |
|--------------|-------------|
| Dec 10, 2014 | First issue |
| | |

Ordering Information

| | |
|--------------------------|---|
| Product Series | KC-2114 |
| Product Version | 0 |
| Country of Manufacture | USA |
| | |
| Order Part Number | Description |
| KC-2114.0 | Class 2 Bluetooth Data Module w/ kcSerial Firmware Latest Edition |
| KC-2114.0-FW | Class 2 Bluetooth Data Module, w/ Custom Firmware |

Contact Information

KC Wirefree
 2640 W Medtronic Way
 Tempe, Arizona 85281

(602) 386-2640 Phone

www.kcwirefree.com Website
 sales@kcwirefree.com Sales Support
 tech@kcwirefree.com Technical Support